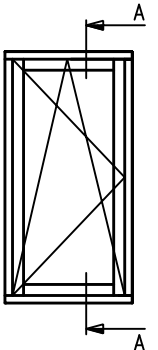
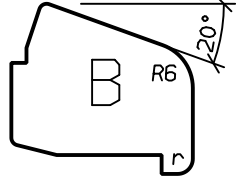
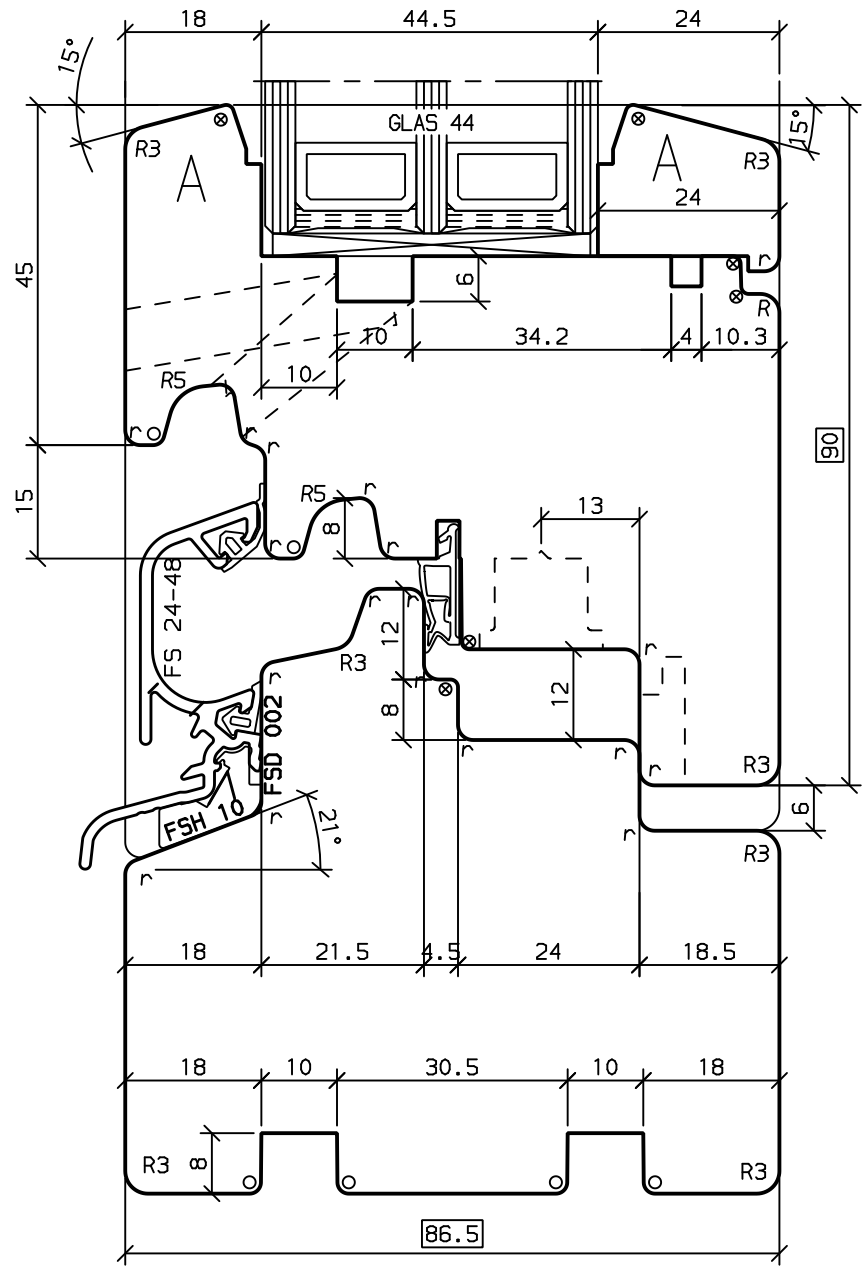
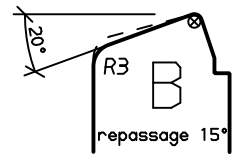
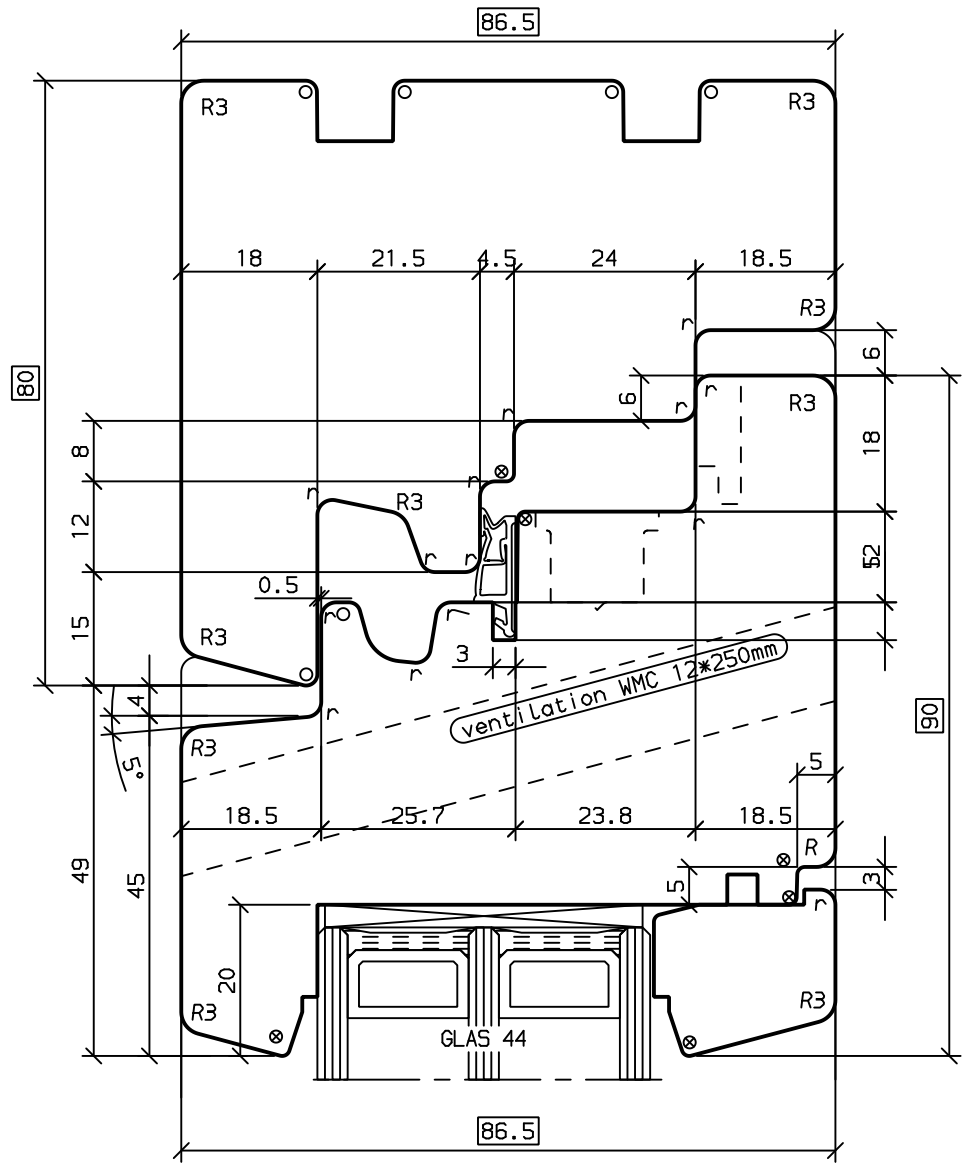
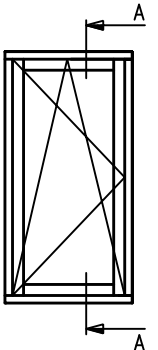
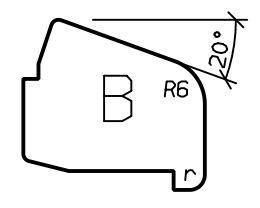
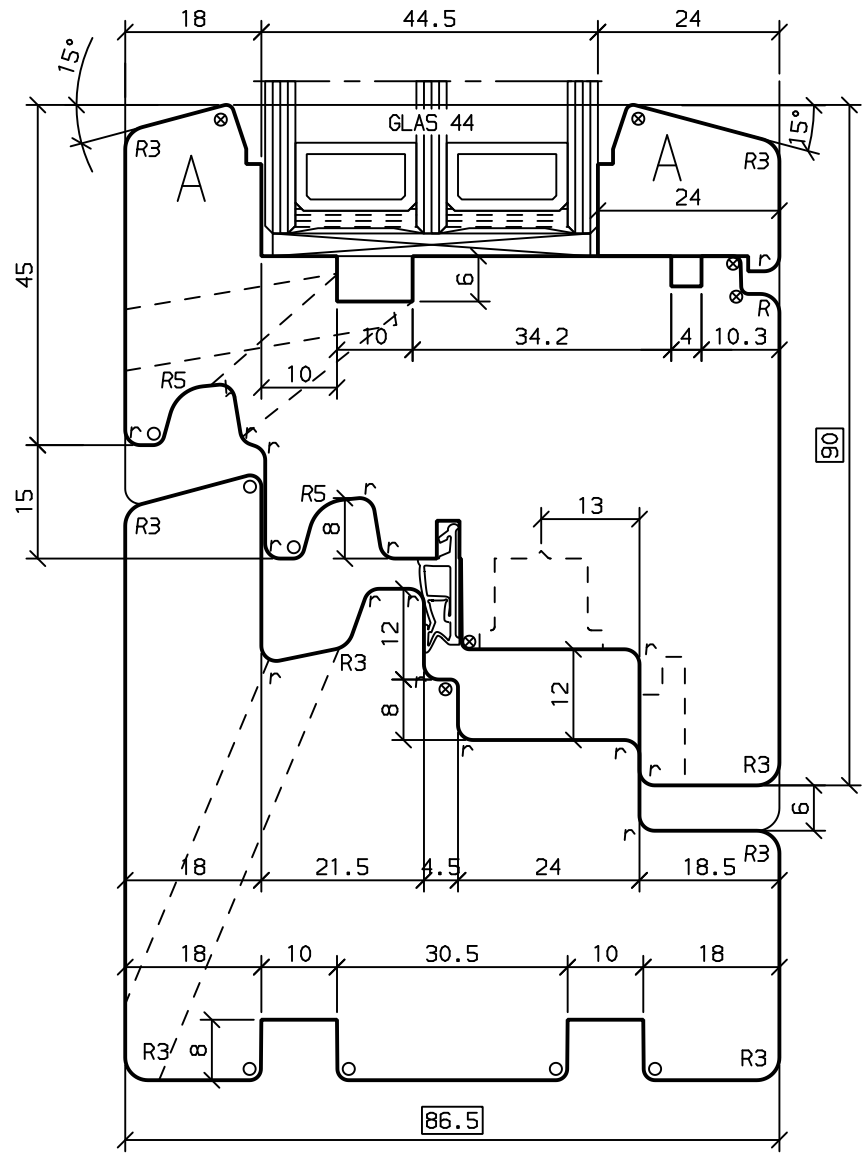
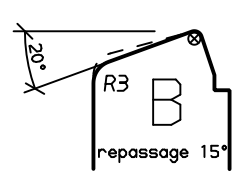
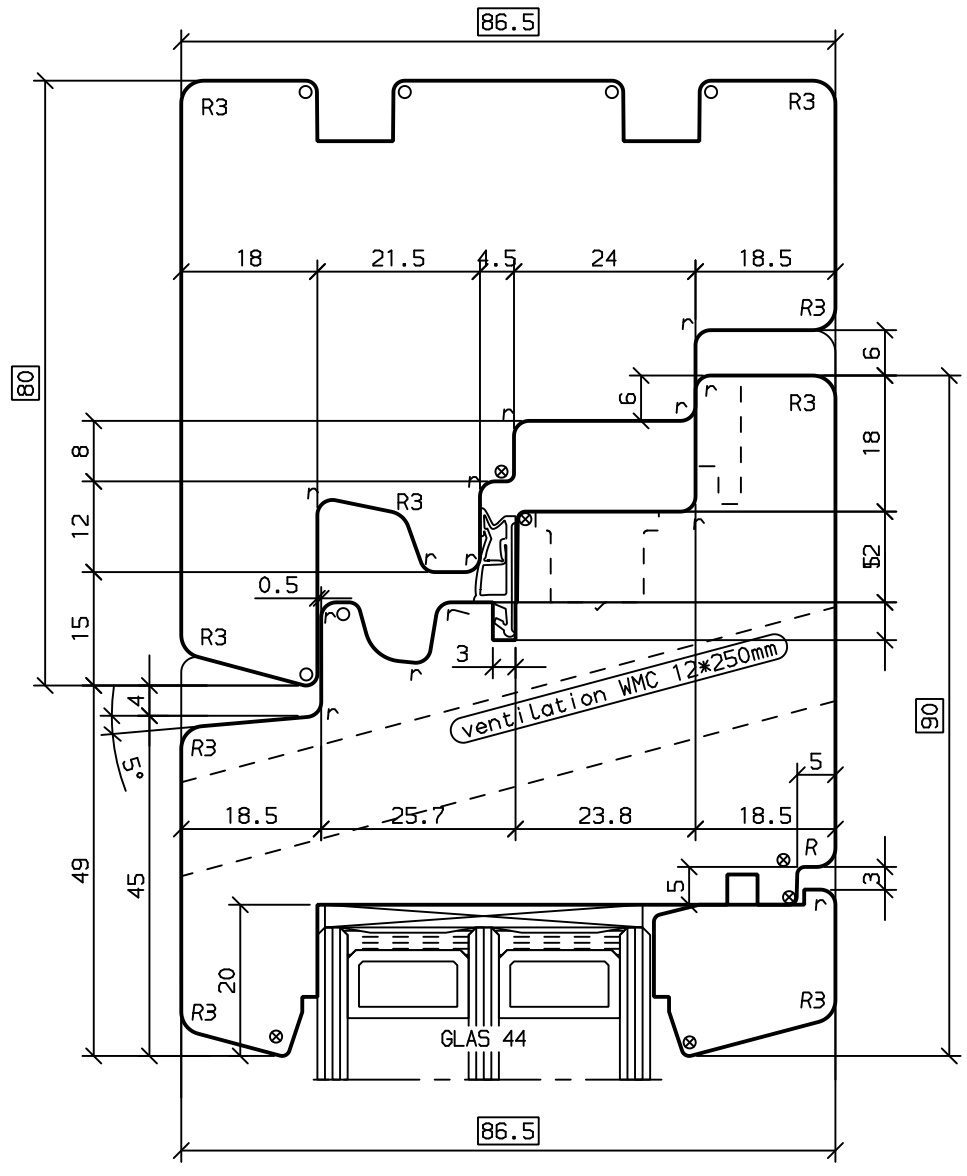


- ☒ = Schleifz.
- * = 0.5 mm
- = 0.5x45°
- X = 1 x45°
- = 1.5x45°
- ▽ = 2 x45°
- = R 0.5
- ⊙ = R 1
- = R 1.5
- ⊖ = R 2
- R = R 2.5



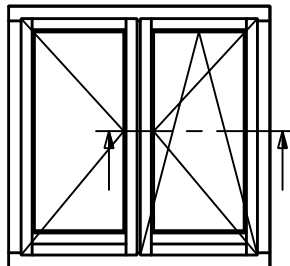
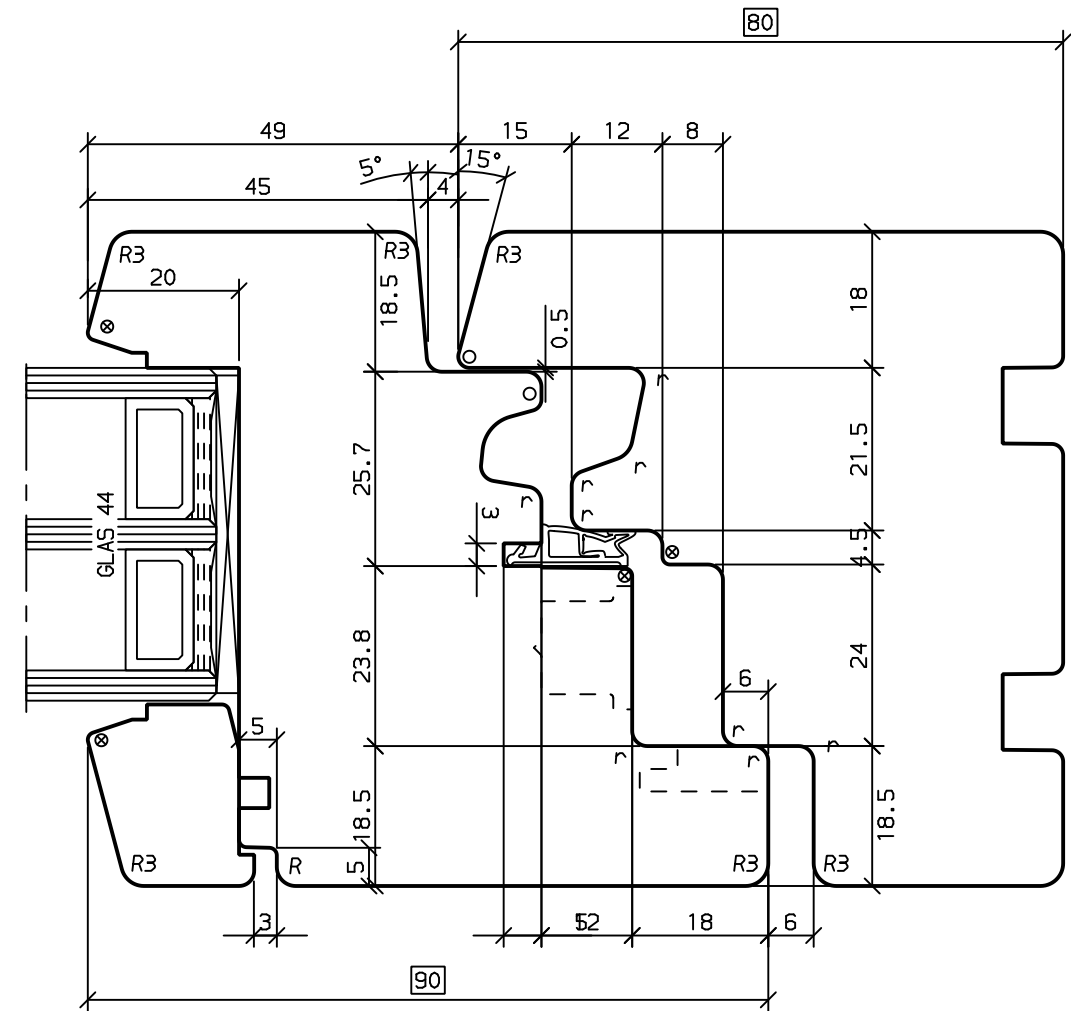
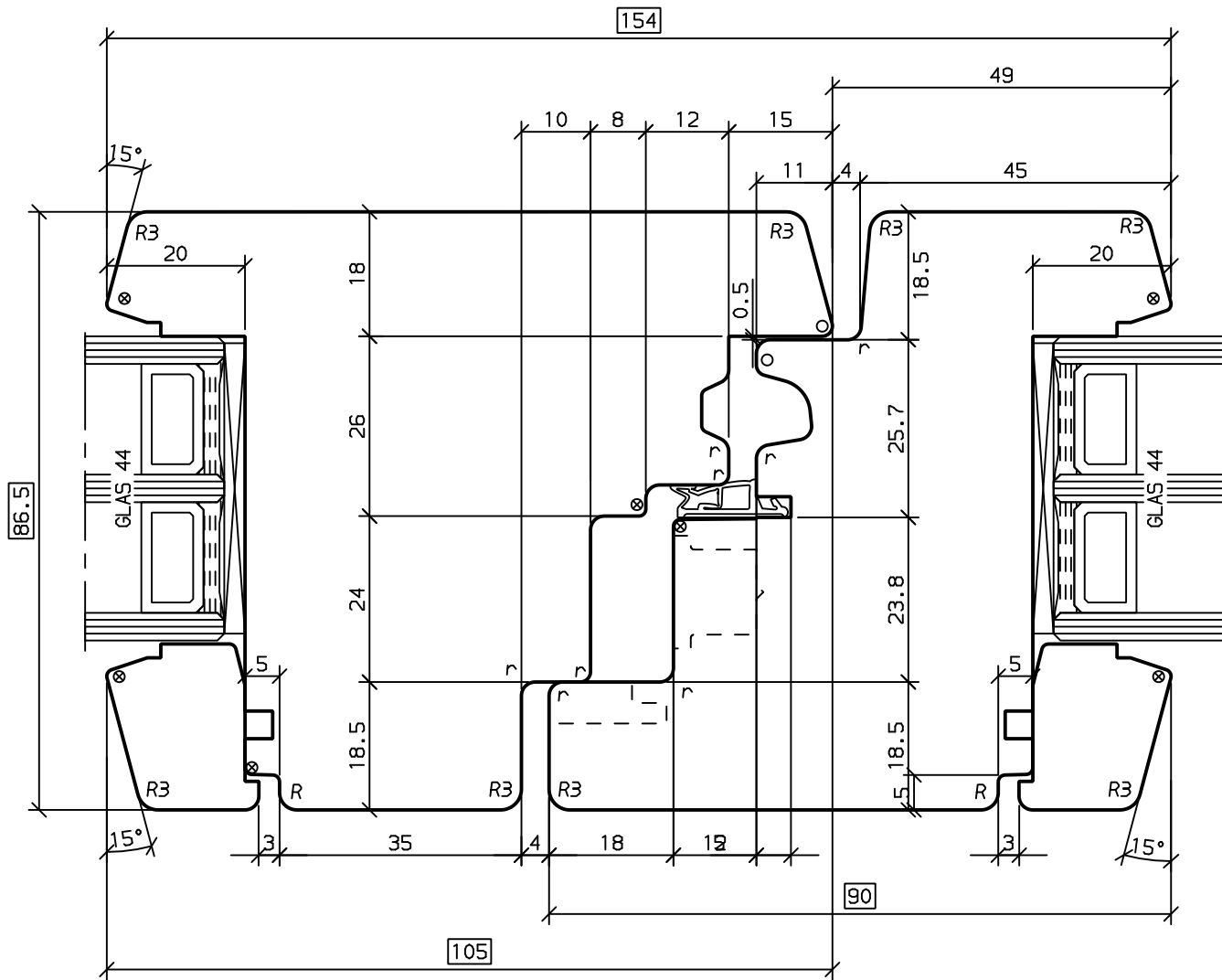
OERTLI		FENÊTRE BOIS 86.8/86.5MM PLANO				Maßstab 1:1	A3	Gez. 20.09.18	LA0
		COUPE VERTICALE				K-Nr. 1005324	Gepr. 22.02.19	KOG	
Ers. d. . Ers. f. .		REJET D'EAU ALU				K-Name OE-F. MINAIRE			
						SD 1519683 400 01 A			

- ☒ = Schleifz.
- * = 0.5 mm
- = 0.5x45°
- X = 1 x45°
- = 1.5x45°
- ▽ = 2 x45°
- ⊙ = R 0.5
- ⊗ = R 1
- = R 1.5
- ⊖ = R 2
- R = R 2.5



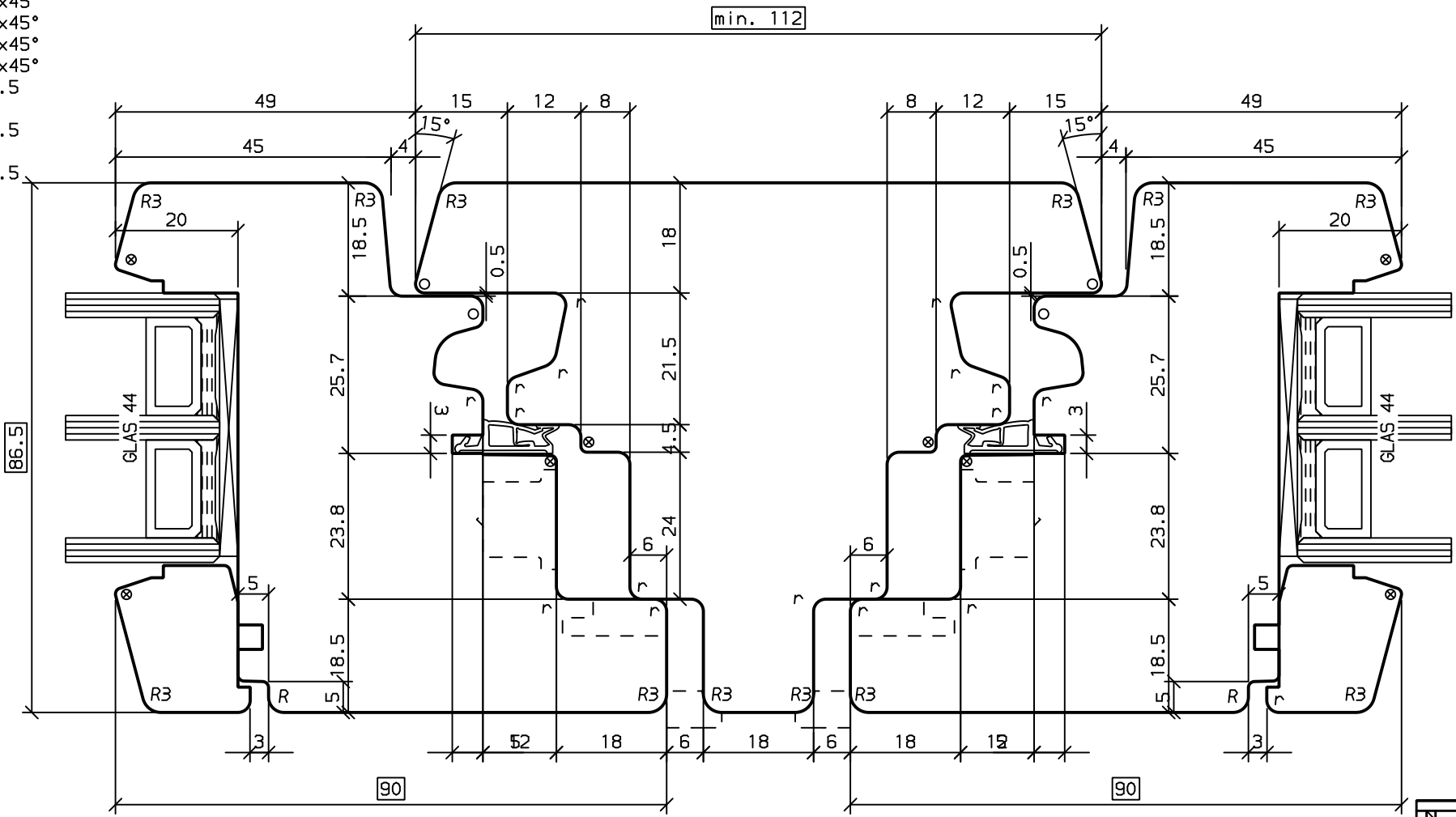
OERTLI	FENÊTRE BOIS 86.8/86.5MM PLANO				Maßstab	1:1	A3	Gez.	20.09.18	LA0
	COUPE VERTICALE				K-Nr.	1005324	Gepr.	22.02.19	K0G	
	SANS RAIL ALU				K-Name	OE-F. MINAIRE				
				SD 1519683 401 01 A						

- ☒ = Schleifz.
- * = 0.5 mm
- = 0.5x45°
- X = 1 x45°
- = 1.5x45°
- ▽ = 2 x45°
- = R 0.5
- ⊙ = R 1
- = R 1.5
- ⌢ = R 2
- R = R 2.5

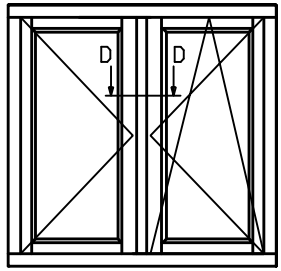


OERTLI	FENÊTRE BOIS 86.8/86.5MM PLANO COUPE HORIZONTALE PARTIE CENTRALE				Maßstab	1:1	A3	Gez.	20.09.18	LA0
					Ers.d.:		K-Nr.	1005324	Gep.	22.02.19
Ers.f.:		K-Name	OE-F. MINAIRE			SD 1519683 403 01 A				

- ☒ = Schleifz.
- * = 0.5 mm
- = 0.5x45°
- X = 1 x45°
- = 1.5x45°
- ▽ = 2 x45°
- = R 0.5
- ⊗ = R 1
- = R 1.5
- ⌢ = R 2
- R = R 2.5

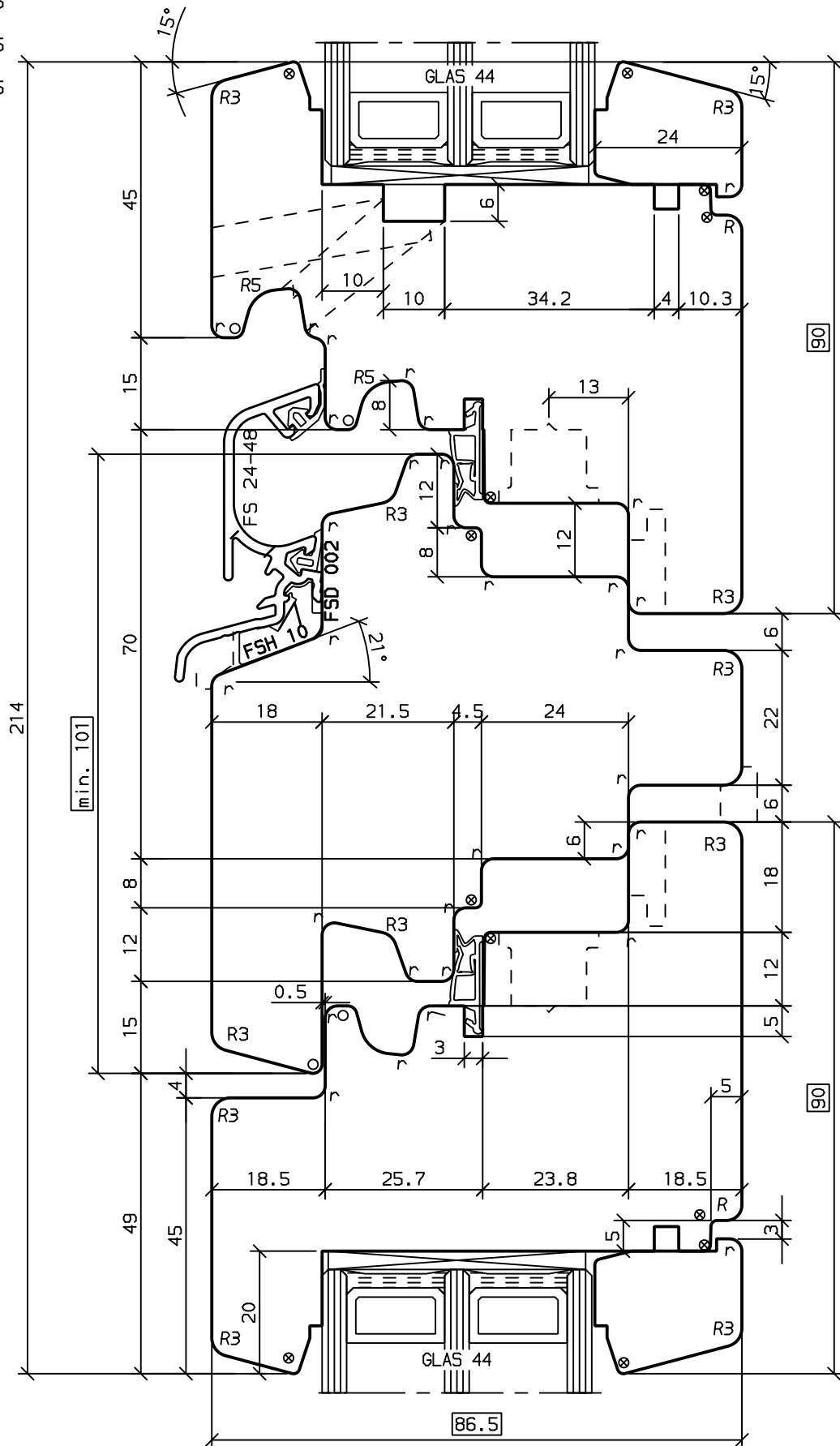


- ☒ = Schleifz.
- * = 0.5 mm
- = 0.5x45°
- X = 1 x45°
- = 1.5x45°
- ▽ = 2 x45°
- = R 0.5
- ⊗ = R 1
- = R 1.5
- ⌢ = R 2
- R = R 2.5



	FENÊTRE BOIS 86.5/86.5MM PLANO		Maßstab	1:1	A4	Gez.	22.08.18	LAO
	COUPE HORIZONTALE		K-Nr.	1005324	Gepr.	22.02.19	KOG	
	MENEAU 112MM (MINIMUM)		K-Name	OE-F. MINAIRE				
			SD 1519683 404 01 A					

- ⊠ = Schleifz.
- * = 0.5 mm
- = 0.5x45°
- X = 1 x45°
- = 1.5x45°
- ▽ = 2 x45°
- = R 0.5
- ⊙ = R 1
- = R 1.5
- ⌒ = R 2
- R = R 2.5



OERTLI

FENÊTRE BOIS 86.5/86.5MM PLANO
 COUPE VERTICALE
 INTERMÉDIARE HORIZONTAL 101MM (MINI)

Maßstab	1:1	A4	Gez.	22.08.18	LAO
K-Nr.	1005324	Gepr.	22.02.19	KOG	
K-Name	OE-F. MINAIRE				

Ers. d: .
 Ers. f: .

519683 405 01 A